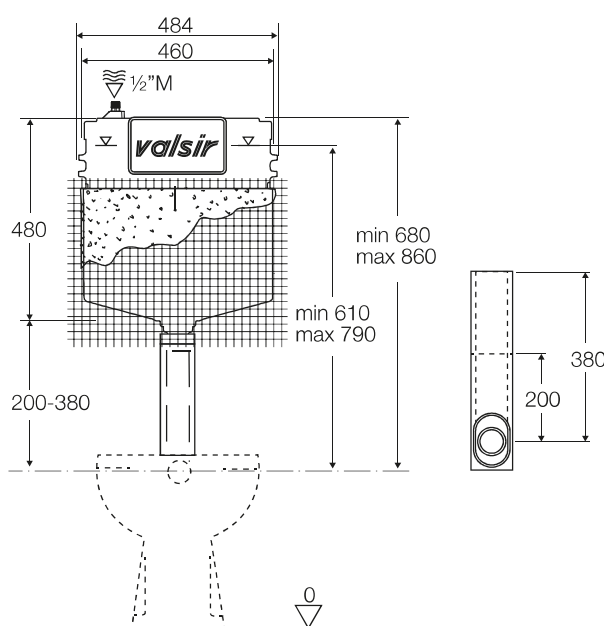


MURARE IN-WALL - À ENCASTRER


S84





- **Tipologia WC:** a terra
- **Tipologia installazione:** mattoni, a secco, legno
- **Volume scarico:** 6/3 (pre-regolato), 4,5/3, 4/2 l
- **Posizione placca:** frontale
- **Materiale fissaggio:** incluso
- **Kit tubi pneumatico remoto:** non incluso


- **WC type:** floor standing pans
- **Installation:** masonry walls, dry walls, stud frame walls
- **Flush volume:** 6/3 (standard setting), 4.5/3, 4/2 l
- **Plate position:** front
- **Fixing material:** included
- **Pneumatic hoses kit for remote installation:** not included

- **Typologie WC :** au sol
- **Typologie installation :** briques, à sec, bois
- **Volume chasse d'eau :** 6/3 (pré-réglé), 4,5/3, 4/2 l
- **Emplacement command :** frontal
- **Matériel de fixation :** inclus
- **Kit tuyaux pneumatique à distance :** non inclus

COD.	Mod.	Rivestimento Covering - Revêtement	SxLxH	
VS0858002	mec	rete e foderina - net and lining - crépine et fourreau	84x484x480	5
VS0858052	pneu	rete e foderina - net and lining - crépine et fourreau	84x484x480	5
VS0858021	electro	rete e foderina - net and lining - crépine et fourreau	84x484x480	5

	Pz - Pcs	HxLxP	kg	m ³
1	568x671x111	4	0,042	

	Pz - Pcs	HxLxP	kg	m ³
5	570x681x593	20,2	0,23	

	Pz - Pcs	HxLxP	kg	m ³
60	1950x1200x1400	255	3,27	